

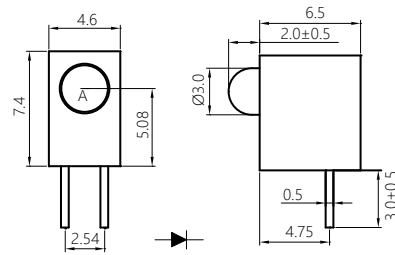
INQUIRY BOARD AND INFORMATION



3 mm Lamp

Single Level

Holder LH31 Series



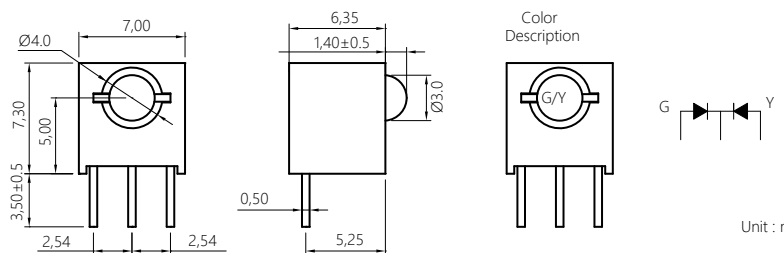
Unit : mm

Part No.	LED Lamp	Emitting Color	Wavelength λ_d (nm)/ CIE (x.y)	Resin Type	Typ. Luminous Intensity I_v (mcd)	Viewing Angle (deg.)	Typ. Forward Voltage V_F (V)	Forward Current I_F (mA)
L-H311005B	A=L-3524GD	Yellow Green	570	Green Diffused	18	60	2	20
L-H311006B	A=L-3524YD	Yellow	587	Yellow Diffused	15	60	2.1	20
L-H311007B	A=L-3524ED	Super Red	628	Red Diffused	18	60	1.9	20
L-H311008B	A=L-3524SRD	Hyper Red	640	Red Diffused	40	60	1.9	20

3 mm Lamp

Single Level

Holder LH31F Series



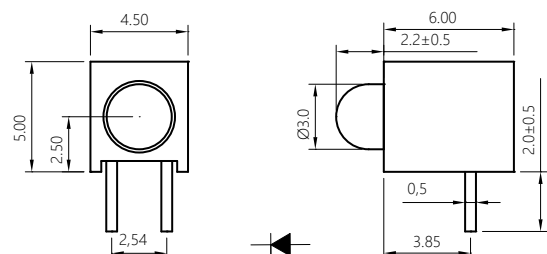
Unit : mm

Part No.	LED Lamp	Emitting Color	Wave Length λ_d (nm)/ CIE (x.y)	Resin Type	Typ. Luminous Intensity I_v (mcd)	Viewing Angle (deg.)	Typ. Forward Voltage V_F (V)	Forward Current I_F (mA)
L-H31F103E	A=L359GYW-AH-SS	Yellow	587	White Diffused	10	80	2.1	20
		Yellow Green	570		12		2	
L-H31F104E-HT2S	A=L359EGW-AH-HT2S	Super Red	628	White Diffused	12	80	1.9	20
		Yellow Green	570		12		2	

3 mm Lamp

Single Level

Holder LH31C Series



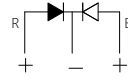
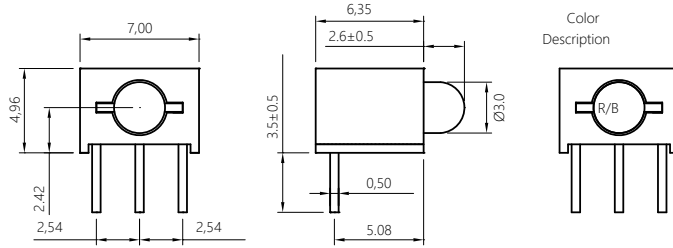
Unit : mm

Part No.	LED Lamp	Emitting Color	Wavelength λ_d (nm)/ CIE (x.y)	Resin Type	Typ. Luminous Intensity I_v (mcd)	Viewing Angle (deg.)	Typ. Forward Voltage V_F (V)	Forward Current I_F (mA)
LH31C015P	A=L-354UB5D	Blue	465	Blue Diffused	200	60	3	20
LH31C016P	A=L-304UP5D	Purple	(0.19,0.06)	Purple Diffused	450	60	3	20
LH31C017P	A=L-357EGW	Super Red	628	White Diffused	12	120	1.9	20
		Yellow Green	570	White Diffused	12		2	

3 mm Lamp

Single Level

Holder LH31R Series



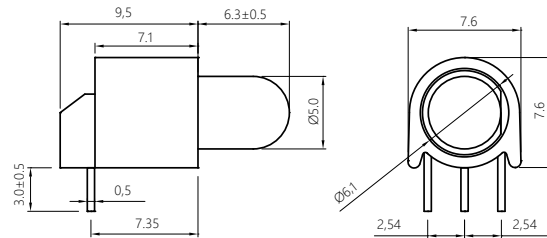
Unit : mm

Part No.	LED Lamp	Emitting Color	Wave Length λ_d (nm)/ CIE (x,y)	Resin Type	Typ. Luminous Intensity I_v (mcd)	Viewing Angle (deg.)	Typ. Forward Voltage V_f (V)	Forward Current I_f (mA)
LH31R120P	A=L-359VEUB5W	Super Red	628	White Diffused	170	120	1.9	20
		Blue	465		110		3	

5 mm Lamp

Single Level

Holder LH511 Series



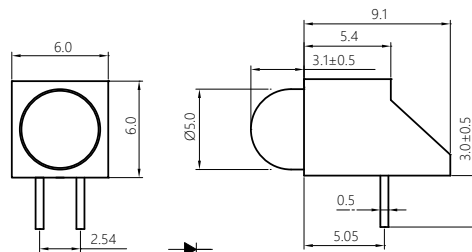
Unit : mm

Part No.	LED Lamp	Emitting Color	Wavelength λ_d (nm)/ CIE (x,y)	Resin Type	Typ. Luminous Intensity I_v (mcd)	Viewing Angle (deg.)	Typ. Forward Voltage V_f (V)	Forward Current I_f (mA)
L-H511007B	A=L-519SRGW	Hyper Red	640	White Diffused	40	60	1.9	20
		Yellow Green	570		20		2	20
L-H511006B	A=L-519EGW	Super Red	628	White Diffused	20	60	1.9	20
		Yellow Green	570		20		2	20
L-H511005B	A=L-519GYW	Yellow	587	White Diffused	15	60	2.1	20
		Yellow Green	570		20		2	20

5 mm Lamp

Single Level

Holder LH512 Series



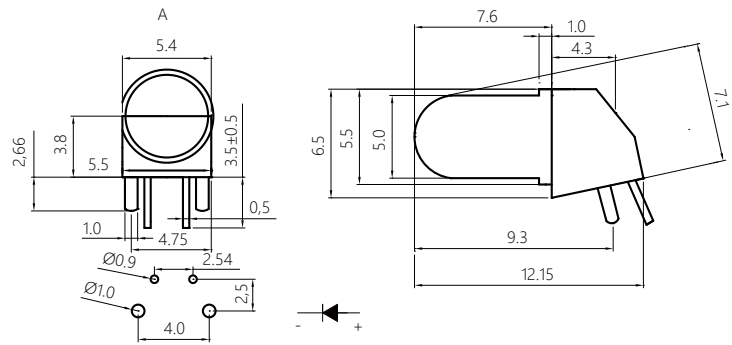
Unit : mm

Part No.	LED Lamp	Emitting Color	Wavelength λ_d (nm)/ CIE (x,y)	Resin Type	Typ. Luminous Intensity I_v (mcd)	Viewing Angle (deg.)	Typ. Forward Voltage V_f (V)	Forward Current I_f (mA)
L-H512005B	A=L-5023GD	Yellow Green	570	Green Diffused	25	60	2	20
L-H512006B	A=L-5023YD	Yellow	587	Yellow Diffused	15	60	2.1	20
L-H512007B	A=L-5023ED	Super Red	628	Red Diffused	25	60	1.9	20
L-H512008B	A=L-5023SRD	Hyper Red	640	Red Diffused	50	60	1.9	20

5 mm Lamp

Single Level

Holder LH51L Series



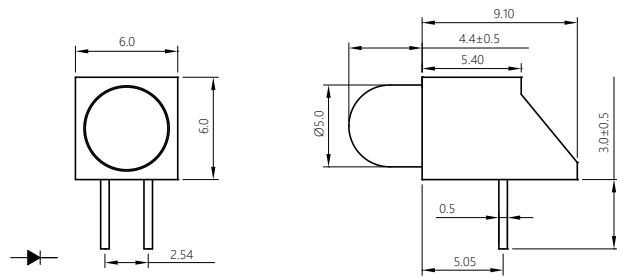
Unit : mm

Part No.	LED Lamp	Emitting Color	Wave Length λ_d (nm)/ CIE (x.y)	Resin Type	Typ. Luminous Intensity I_v (mcd)	Viewing Angle (deg.)	Typ. Forward Voltage V_F (V)	Forward Current I_F (mA)
L-H51L152E	A=LQR5VYC341G	Yellow	587	Water Clear	7000	30	1.9	20
L-H51L151E	A=LQR5UW5C340G	White	(0.28, 0.27)	Water Clear	5700	30	3	20

5 mm Lamp

Single Level

Holder LH513 Series



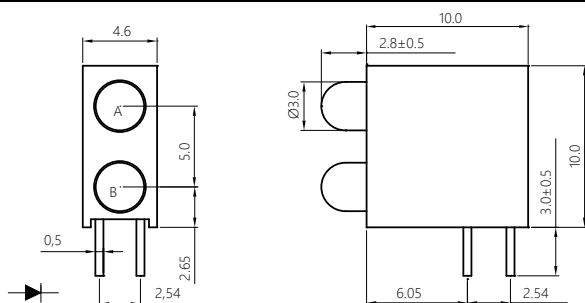
Unit : mm

Part No.	LED Lamp	Emitting Color	Wavelength λ_d (nm)/ CIE (x.y)	Resin Type	Typ. Luminous Intensity I_v (mcd)	Viewing Angle (deg.)	Typ. Forward Voltage V_F (V)	Forward Current I_F (mA)
L-H513005B	A=L-5223GD	Yellow Green	570	Green Diffused	25	60	2	20
L-H513006B	A=L-5223YD	Yellow	587	Yellow Diffused	15	60	2.1	20
L-H513007B	A=L-5223ED	Super Red	628	Red Diffused	25	60	1.9	20
L-H513008B	A=L-5223SRD	Hyper Red	640	Red Diffused	50	60	1.9	20

3 mm Lamp

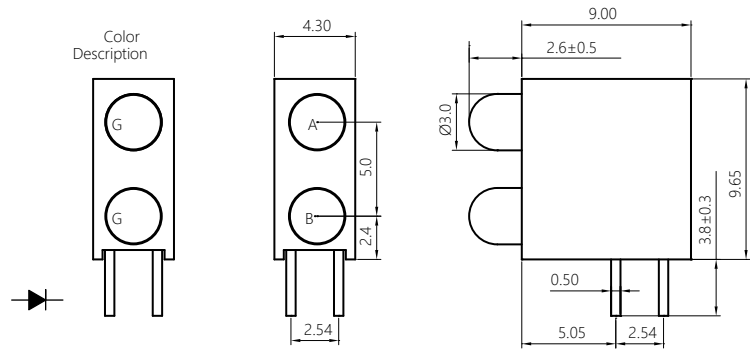
Dual Level

Holder LH322 Series



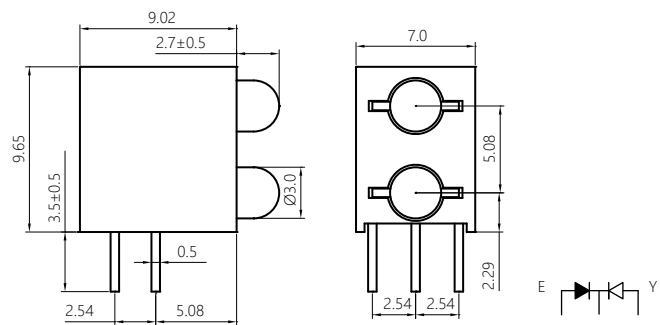
Unit : mm

Part No.	LED Lamp	Emitting Color	Wavelength λ_d (nm)/ CIE (x.y)	Resin Type	Typ. Luminous Intensity I_v (mcd)	Viewing Angle (deg.)	Typ. Forward Voltage V_F (V)	Forward Current I_F (mA)
L-H322005B	A=B= L-3524GD	Yellow Green	570	Green Diffused	18	60	2	20
L-H322006B	A=B= L-3524YD	Yellow	587	Yellow Diffused	15	60	2.1	20
L-H322007B	A=B= L-3524ED	Super Red	628	Red Diffused	18	60	1.9	20
L-H322008B	A=B= L-3524SRD	Hyper Red	640	Red Diffused	40	60	1.9	20



Unit : mm

Part No.	LED Lamp	Emitting Color	Wavelength λ_d (nm)/ CIE (x,y)	Resin Type	Typ. Luminous Intensity I_v (mcd)	Viewing Angle (deg.)	Typ. Forward Voltage V_f (V)	Forward Current I_f (mA)
LH32K039F	A=B= L-3524GD	Yellow Green	570	Green Diffused	18	60	2	20
LH32K046F	A=B= L-3524ED	Super Red	628	Red Diffused	18	60	1.9	20
LH32K047F	A= L-3524ED	Super Red	628	Red Diffused	18	60	1.9	20
	B= L-3524LY1D	Yellow	587	Yellow Diffused	25	60	2.1	20
LH32K048F	A= L-3524ED	Super Red	628	Red Diffused	18	60	1.9	20
	B= L-3524GD	Yellow Green	570	Green Diffused	18	60	2	20



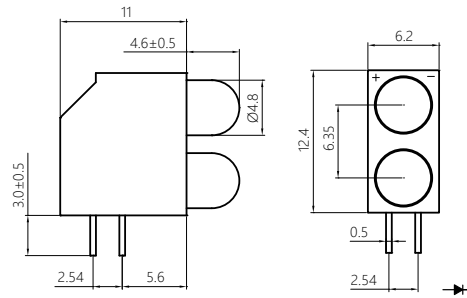
Unit : mm

Part No.	LED Lamp	Emitting Color	Wavelength λ_d (nm)/ CIE (x,y)	Resin Type	Typ. Luminous Intensity I_v (mcd)	Viewing Angle (deg.)	Typ. Forward Voltage V_f (V)	Forward Current I_f (mA)
LH32F023E	A=L359LR1UB5C B= no LED	Super Red	628	Water Clear	100	80	1.9	20
		Blue	465		240		3	
LH32F024E	A=B= L-359EYW	Super Red	628	White Diffused	30	80	1.9	20
		Yellow	587		20		1.9	
H329201E	A=B=L359EGW	Super Red Green	628 570	White Diffused	30 30	80	1.9 2	20

5 mm Lamp

Dual Level

Holder LH523 Series



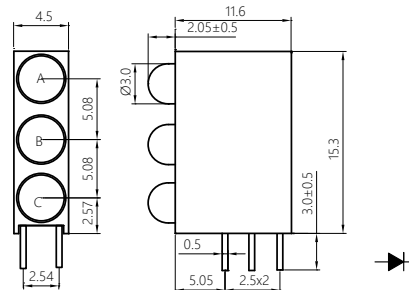
Unit : mm

Part No.	LED Lamp	Emitting Color	Wavelength λ_d (nm)/ CIE (x.y)	Resin Type	Typ. Luminous Intensity I_v (mcd)	Viewing Angle (deg.)	Typ. Forward Voltage V_F (V)	Forward Current I_F (mA)
L-H523005B	A=B= L-523GD	Yellow Green	570	Green Diffused	25	60	2	20
L-H523006B	A=B= L-523YD	Yellow	587	Yellow Diffused	15	60	2.1	20

3 mm Lamp

Tri Level

Holder LH331 Series



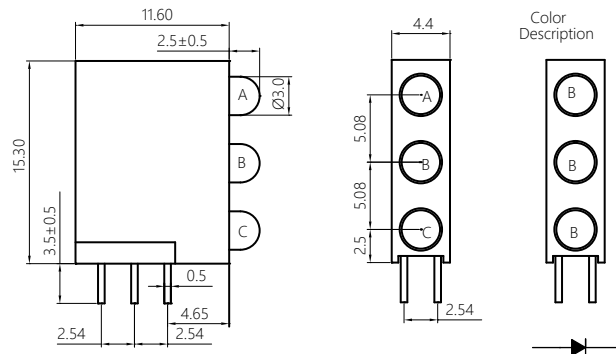
Unit : mm

Part No.	LED Lamp	Emitting Color	Wavelength λ_d (nm)/ CIE (x.y)	Resin Type	Typ. Luminous Intensity I_v (mcd)	Viewing Angle (deg.)	Typ. Forward Voltage V_F (V)	Forward Current I_F (mA)
L-H331005B	A=B=C= L-3541GD	Yellow Green	570	Green Diffused	18	60	2	20
L-H331006B	A=B=C= L-3541YD	Yellow	587	Yellow Diffused	15	60	2.1	20
L-H331007B	A=B=C= L-3541ED	Super Red	628	Red Diffused	18	60	1.9	20
L-H331008B	A=B=C= L-3541SRD	Hyper Red	640	Red Diffused	40	60	1.9	20

3 mm Lamp

Tri Level

Holder LH339 Series



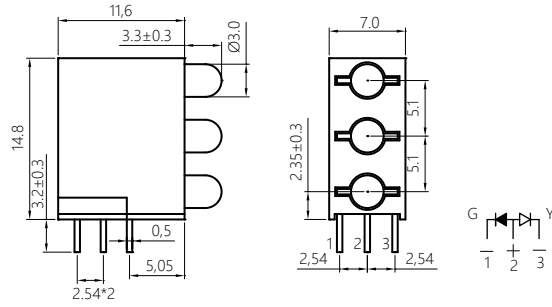
Unit : mm

Part No.	LED Lamp	Emitting Color	Wavelength λ_d (nm)/ CIE (x.y)	Resin Type	Typ. Luminous Intensity I_v (mcd)	Viewing Angle (deg.)	Typ. Forward Voltage V_F (V)	Forward Current I_F (mA)
L-H339106E	A=B=C= L354UB5C	Blue	465	Water Clear	2000	60	3	20
L-H339116E	A=B=C=L-354GC	Yellow Green	570	Water Clear	180	60	2	20
L-H339115E	A=B=C=L-354IC	Hyper Red	640	Water Clear	200	60	1.9	20

3 mm Lamp

Tri Level

Holder LH33C Series



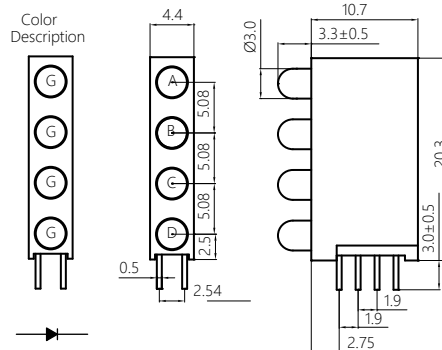
Unit : mm

Part No.	LED Lamp	Emitting Color	Wavelength λ_d (nm)/ CIE (x.y)	Resin Type	Typ. Luminous Intensity I_v (mcd)	Viewing Angle (deg.)	Typ. Forward Voltage V_f (V)	Forward Current I_f (mA)
L-H33C201B	A=B=C=L-359IGW	Hyper Red	640	White Diffused	30	80	1.9	20
		Yellow Green	570		20		2	
L-H33C204D	A=B=C=L-329YGW	Yellow	587	White Diffused	14	80	2.1	20
		Yellow Green	570		20		2	

3 mm Lamp

Quad Level

Holder LH34A Series



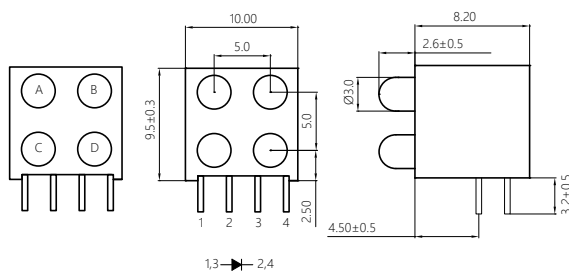
Unit : mm

Part No.	LED Lamp	Emitting Color	Wavelength λ_d (nm)/ CIE (x.y)	Resin Type	Typ. Luminous Intensity I_v (mcd)	Viewing Angle (deg.)	Typ. Forward Voltage V_f (V)	Forward Current I_f (mA)
L-H34A005B	A=B=C=D= L-3541GD	Yellow Green	570	Green Diffused	18	60	2	20
L-H34A006B	A=B=C=D= L-3541YD	Yellow	587	Yellow Diffused	15	60	2.1	20
L-H34A007B	A=B=C=D= L-3541ED	Super Red	628	Red Diffused	18	60	1.9	20
L-H34A008B	A=B=C=D= L-3541SRD	Hyper Red	640	Red Diffused	40	60	1.9	20

3 mm Lamp

Quad Level

Holder LH34D Series



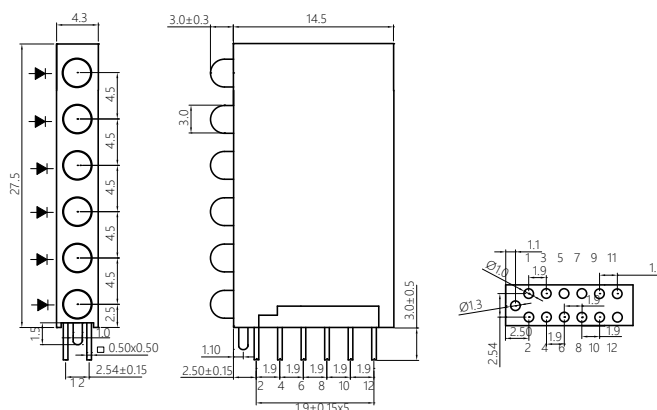
Unit : mm

Part No.	LED Lamp	Emitting Color	Wavelength λ_d (nm)/ CIE (x,y)	Resin Type	Typ. Luminous Intensity I_v (mcd)	Viewing Angle (deg.)	Typ. Forward Voltage V_F (V)	Forward Current I_F (mA)
L-H34D201C	A=B=C=D= L-327GYW	Yellow Green	570	White Diffused	10	80	2	20
		Yellow	587		8		2.1	
L-H34D202C	A=L324YD	Yellow	587	Yellow Diffused	15	80	2.1	20
	B=D=L324GD	Yellow Green	570	Green Diffused	20		2	
	C=L324SRD	Hyper Red	640	Red Diffused	22		1.9	

3 mm Lamp

Hexa Level

Holder LH36A Series



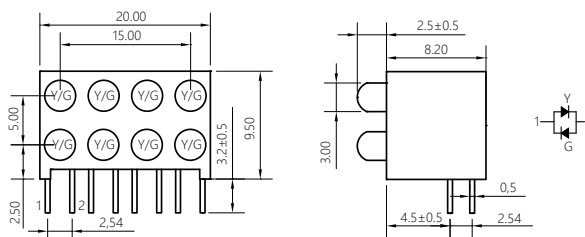
Unit : mm

Part No.	LED Lamp	Emitting Color	Wavelength λ_d (nm)/ CIE (x,y)	Resin Type	Typ. Luminous Intensity I_v (mcd)	Viewing Angle (deg.)	Typ. Forward Voltage V_F (V)	Forward Current I_F (mA)
L-H36A100B	A=L-354GD	Yellow Green	570	Green Diffused	18	60	2	20
L-H36A101B	A=L-354ED	Super Red	628	Red Diffused	18	60	1.9	20
	A=L-354GD	Yellow Green	570	Green Diffused	18	60	2	20

3 mm Lamp

Octa Level

Holder LH385 Series



Unit : mm

Part No.	LED Lamp	Emitting Color	Wavelength λ_d (nm)/ CIE (x,y)	Resin Type	Typ. Luminous Intensity I_v (mcd)	Viewing Angle (deg.)	Typ. Forward Voltage V_F (V)	Forward Current I_F (mA)
L-H385002C	L-327GYW	Yellow Green	565	White Diffused	18	70	2	20
		Yellow	585		15	70	2.2	20